

RHE 07 a1 / RHE 08 a1 -

(KOSHA97-2734-Q2)

가 , 가 ,

The RHE 07 a1



The RHE 08 a1



RHE 07 ()

- Rack
- 가 :
ATEX : Ex II (1) G [EEx ia] IIC
or CSA 220705
- 2 analog (4 - 20 mA)
- 1 pulse/frequency
- : density, batch, brix, concentration...
- 가 : RS 422/485 ...
- Protection class: IP 20
- : < 15 W
- : -40 to +60°C
- NMI :
TC 3382 - double pulse

RHE 08 ()

- Wall
- 가 :
ATEX : Ex II (1) G [EEx ia] IIC
or CSA 220705
- 2 analog (4 - 20 mA)
- 1 pulse/frequency
- : density, batch, brix, concentration...
- 가 : RS 422/485 ...
- HART 가
- Protection class: IP 64
- : < 15 W
- : -40 to +60°C

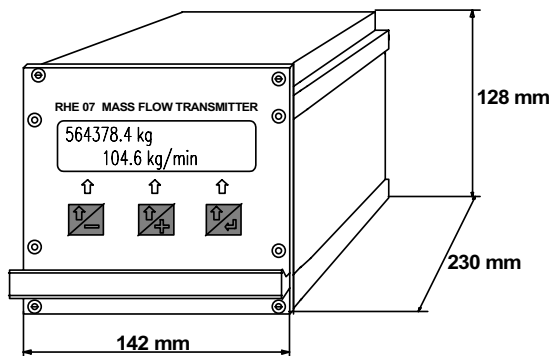
RHE 07 a1 / RHE 08 a1 -

(KOSHA97-2734-Q2)

가

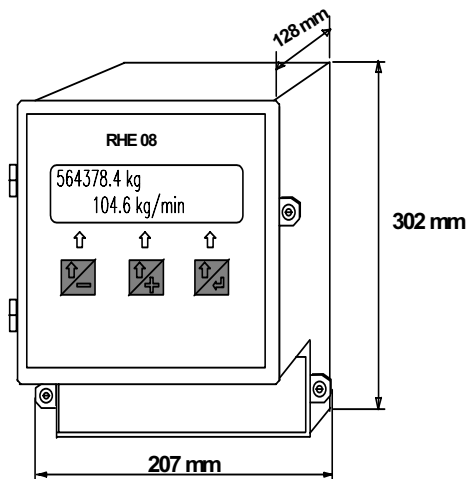
가

The RHE 07 a1



: 1.9 kg / 4.2 lb

The RHE 08 a1



: 5.3 kg / 11.7 lb

Details RHE 07

Housing:	1/3, 19" rack modul (**)
Protection class:	IP 20
Dimensions:	142 x 128 x 230 mm 5.60 x 5.04 x 9.06"
Operating temperature:	-40 to +60°C -40 to +140°F
Display:	LCD (16 charct., 2 lines)
Servicing:	via 3 pushbuttons for all settings
Outputs ^(*) :	2 analog outputs 1 frequency/pulse output 3 digital outputs (Lt, +/-, error...)
Inputs ^(*) :	2 inputs (hold, reset, zero)
Power supply:	230 VAC +/- 10% or 115 VAC +/- 10% or 24 VDC
Interface:	RS 422/485/232 - optional

Details RHE 08

Housing:	Aluminium (wall mounting)
Protection class:	IP 64
Dimensions:	302 x 207 x 128 mm 11.89 x 8.15 x 5.04"
Operating temperature:	-40 to +60°C -40 to +140°F
Display:	LCD (16 charct., 2 lines)
Servicing:	via 3 pushbuttons for all settings
Outputs ^(*) :	2 analog outputs 1 frequency/pulse output 3 digital outputs (Lt, +/-, error...)
Inputs ^(*) :	2 inputs (hold, reset, zero)
Power supply:	230 VAC +/- 10% or 115 VAC +/- 10% or 24 VDC
Cable entries:	4 x M25 x 1.5 - others optional
Interface:	RS 422/485/232 - optional HART - optional

(*) In/outputs via open collector optocouplers.
For details see wiring diagrams.

(**) NMI custody transfer version 1/2, 19" rack modul