



Flowmeter Product Directory

MODEL : ATE



FEATURES

- 유량 측정부와 지시부가 독립되어있어 유체가 지시부에 유입되지 않아 혼탁하고 불투명한 유체측정에 적합하다.
- 용도에 따라 Alarm Switch(On,Off)를 부가 할 수 있다.

SPECIFICATION					
CON`N	SIZE	MAT`L	PRESS.	TEMP.	ACCURACY
FLANGE	15A~150A	STEEL SUS304 SUS316	MAX 10kgf/cm ²	MAX 120℃	FS ±1.5%

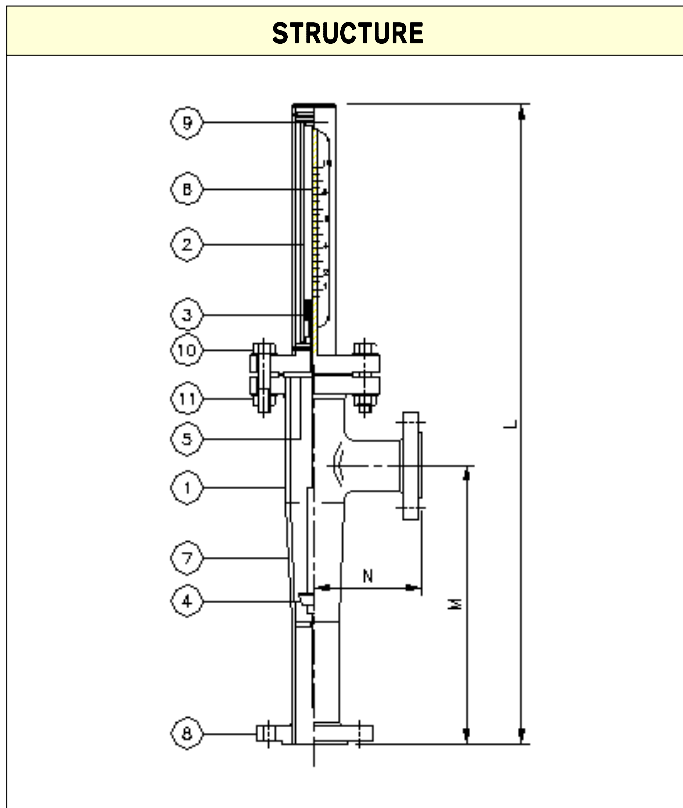
MODEL CODE									
ATE	-	<input type="checkbox"/>	-	<input type="checkbox"/>	-	<input type="checkbox"/>	-	<input type="checkbox"/>	DESCRIPTION
FLOW DIRECTION		2							BOTTOM - TOP SIDE
		4							BOTTOM SIDE - TOP SIDE
MATERIAL				1					STEEL
				2					SUS304
				3					SUS316
				0					OTHER
CONNECTION						J			JIS 10K RF
						A			ANSI 150# RF
						D			DIN PN10/16
						O			OTHER
CONTACT								W	WITHOUT
								1	ONE POINT ALARM



Flowmeter Product Directory

MODEL : ATE

FLOW RATE										
SIZE	DIVIDE	STANDARD H ₂ O (m ³ /h)	GENERAL		LOSS (mmH ₂ O)		LIMIT (kgf/cm ²)	LENGTH (mm)		
			LIQUID (m ³ /h)	AIR (Nm ³ /h)	H ₂ O	AIR		M 2TYPE (4TYPE)	N	L 2TYPE (4TYPE)
	15A		0.1 - 1.0	0.02 - 0.2 0.2 - 2	0.6 - 6 3 - 30	250	150	10	350 (400)	80
20A		0.2 - 2.0	0.08 - 0.8 0.35 - 3.5	1.6 - 16 5 - 50	300	200	10			
25A		0.4 - 4.0	0.1 - 1 0.6 - 6	2 - 20 9 - 90	300	200	10	380 (420)	100	710 (800)
32A		0.6 - 6.0	0.1 - 1 1 - 10	2 - 20 15 - 150	200	200	9			
40A		0.8 - 8.0	0.2 - 2 1.5 - 15	4 - 40 20 - 200	200	200	9	420 (480)	120	790 (860)
50A		1.5 - 15	0.5 - 5 2.5 - 25	6 - 60 40 - 400	300	300	9			
65A		2.5 - 25	0.8 - 8 4 - 40	10 - 100 60 - 600	400	300	8	440 (500)	150	810 (900)
80A		4 - 40	1.2 - 12 5 - 50	12 - 120 80 - 800	400	300	8			
100A		6 - 60	2.5 - 25 9 - 90	25 - 250 120 - 1200	500	300	8	500 (600)	180	980 (1020)
125A		10 - 100	4 - 40 15 - 150	40 - 400 200 - 2000	500	300	7			
150A		14 - 140	6 - 60 20 - 200	60 - 600 300 - 3000	500	300	7	550 (650)	220	1030 (1100)



PART LIST

NO	NAME	MATERIAL		
		NO.1	NO.2	NO.3
1	Body	SPP	SUS304	SUS316
2	Sight Scale	ACRYL, PC, GLASS		
3	Index	MAGNET		
4	Float	SUS304		SUS316
5	Packing	NBR, VITON, SILICON, TEFLON		
6	Guid Rod	SUS304		SUS316
7	Taper Tube	SUS304	SUS304	SUS316
8	Flange	SS400	SUS304	SUS316
9	Cover	AL, SUS304		
10	Bolt	STEEL	SUS304	
11	Nut	STEEL	SUS304	