



# Flowmeter Product Directory

MODEL : ASSA



ASSA-5-3-J-2

## FEATURES

·본 제품은 순간유량 측정용(ASS)에 접점(Alarm Contact) 기능을 추가한 제품으로 접점신호는 1점점과 2 점점으로 구분 한다.

## SPECIFICATION

CON'N	SIZE	MAT'L	PRESS.	TEMP.	ACCURACY
FLANGE	15A-300A	STEEL	ST. 10kgf/cm <sup>2</sup>	ST. 120℃	FS ±3.0%
SCREW	15A-50A	SUS304 SUS316	SP. 40kgf/cm <sup>2</sup>	SP. 200℃	

## ALARM CONTACT

CAPACITY	AC 220V 10A
CONTACT OUTPUT	HIGH OR LOW SET ALARM
CONTACT TYPE	SENSOR SELF HOLDING FORM
CONTACT RATE	SPDT RELAY OUTPUT
CABLE ENTRY	PF 1/2" FEMALE
AMBIENT TEMP	-10 ~80℃

## MODEL CODE

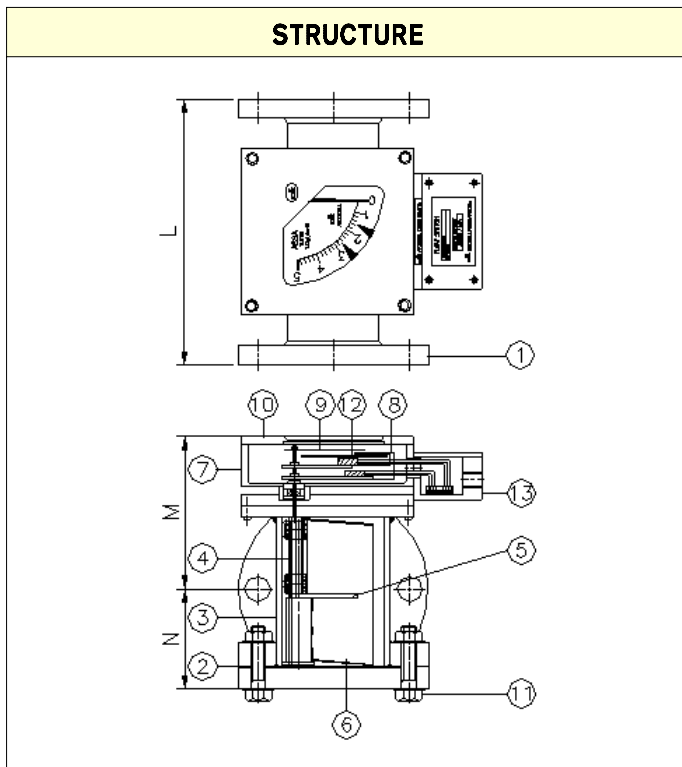
ASSA	-	□	-	□	-	□	-	□	DESCRIPTION
FLOW DIRECTION		1							BOTTOM - TOP
		5							SIDE - SIDE
		6							TOP - BOTTOM
MATERIAL				1					STEEL
				2					SUS304
				3					SUS316
				0					OTHER
CONNECTION						J			JIS 10K RF
						A			ANSI 150# RF
						D			DIN PN10/16
						P			PT(Male / Female)
						N			NPT(Male / Female)
						0			OTHER
CONTACT								1	ONE POINT ALARM
								2	TWO POINT ALARM



# Flowmeter Product Directory

MODEL : ASSA

FLOW RATE								
SIZE	DIVIDE	ALLOW RANGE			LENGTH (mm)			
		H <sub>2</sub> O (m <sup>3</sup> /h)	AIR (Nm <sup>3</sup> /h) 0.5 kgf/cm <sup>2</sup> G · 20°C	STEAM (kg/h) 3 kgf/cm <sup>2</sup> G	M	N	L	
							FLANGE	SCREW
15A	1/2B	0.1 - 0.5	6 - 30	10 - 50	90	30	220	150
		0.4 - 2	12 - 60	20 - 100				
20A	3/4B	0.1 - 0.5	6 - 30	10 - 50	90	30	220	160
		0.4 - 2	12 - 60	20 - 100				
25A	1B	0.2 - 1	12 - 60	10 - 50	100	40	220	180
		1 - 5	30 - 150	40 - 200				
32A	1 1/4B	0.2 - 1	12 - 60	10 - 50	100	50	220	200
		1 - 5	30 - 150	40 - 200				
40A	1 1/2B	0.4 - 2	16 - 80	20 - 100	110	50	220	200
		2 - 10	60 - 300	80 - 400				
50A	2B	0.6 - 3	20 - 100	20 - 100	120	60	220	220
		3 - 15	90 - 450	120 - 600				
65A	2 1/2B	1.2 - 6	60 - 300	80 - 400	120	70	260	220
		6 - 30	180 - 900	240 - 1200				
80A	3B	1.6 - 8	120 - 600	100 - 500	130	80	300	
		8 - 40	240 - 1200	400 - 2000				
100A	4B	3 - 15	180 - 900	200 - 1000	130	90	330	
		16 - 80	400 - 2000	700 - 3500				
125A	5B	4 - 20	200 - 1000	200 - 1000	140	100	380	
		20 - 100	600 - 3000	900 - 4500				
150A	6B	6 - 30	240 - 1200		180	120	480	
		30 - 150	900 - 4500					
200A	8B	12 - 60	300 - 1500		200	160	650	
		60 - 300	1800 - 9000					
250A	10B	16 - 80	600 - 3000		220	180	680	
		80 - 400	2400 - 12000					
300A	12B	20 - 100	900 - 4500		250	220	720	
		100 - 500	3000 - 15000					



**PART LIST**

NO	NAME	MATERIAL		
		NO.1	NO.2	NO.3
1	Flange	SS400	SUS304	SUS316
2	Packing	NBR, EPDM, VITON, TEFLON		
3	Body	SPP	SUS304	SUS316
4	Shaft	SS	SUS304	SUS316
5	Spring	SUS304	SUS304	SUS316
6	Flapper	SS	SUS304	SUS316
7	Case	AL2	SUS304	SUS316
8	Point	SS, SUS304		
9	Index	AL		
10	Cover	AL2		
11	Bolt Nut	STEEL	SUS304	SUS316
12	Senser	MICRO S/W (PACKAGE)		
13	Terminal Box	AL2		