



Flowmeter Product Directory

MODEL : ASOC



FEATURES

- 본 제품은 회전체(Turbine)를 삽입하여 그 움직임으로 유체흐름 상태를 확인하고 감시하는 유량계이다.
- 압력손실이 극히 적으며 불투명액체, 가스측정에 더욱 적합하다.

SPECIFICATION

CON'N	SIZE	MAT'L	PRESS.	TEMP.	ACCURACY
FLANGE	15A~50A 1/4~2"	STEEL	MAX 10kgf/cm ²	MAX 120°C	FS.±1.0%
SCREW		SUS304 SUS316			

ASOC-F-2-P-W

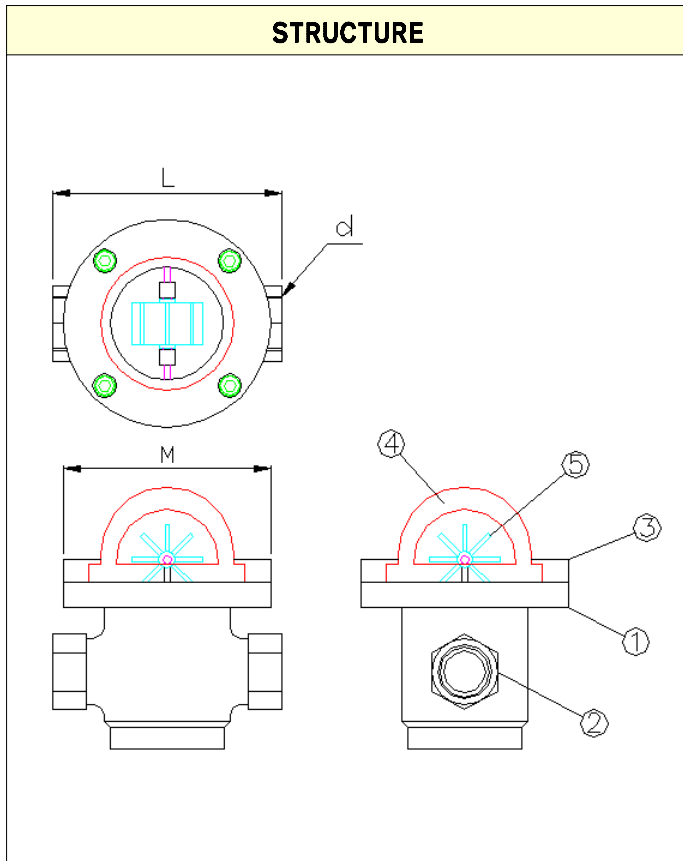
MODEL CODE											
ASOC	-	□	-	□	-	□	-	□	DESCRIPTION		
FLOW DIRECTION		F							FREE		
MATERIAL				1					STEEL		
				2					SUS304		
				3					SUS316		
				0					OTHER		
CONNECTION						J			JIS 10K RF (FF)		
						A					ANSI 150# RF (FF)
						D					DIN PN10/16
						P					PT(Male / Female)
						N					NPT(Male / Female)
						O					OTHER
ACCESSORY								W	WITHOUT		
								V	VALVE (NEEDLE, BALL)		



Flowmeter Product Directory

MODEL : ASOC

FLOW RATE							
SIZE(d)	DIVIDE	ALLOW RANGE		LIMIT	LENGTH (mm)		
		H ₂ O (m ³ /h)	AIR (N ^m /h) 0.5 kgf/cm ² G · 20℃	kgf/cm ²	M	L	
						FLANGE	SCREW
15A	1/2B	0.1 - 0.5	6 - 30	10	100	160	110
		0.4 - 2	12 - 60				~160
20A	3/4B	0.1 - 0.5	6 - 30	10	100	160	110
		0.4 - 2	12 - 60				~160
25A	1B	0.2 - 1	12 - 60	10	100	180	110
		1 - 5	30 - 150				~160
32A	1 1/4B	0.2 - 1	12 - 60	10	100	180	110
		1 - 5	30 - 150				~160
40A	1 1/2B	0.4 - 2	16 - 80	10	100	200	160
		2 - 10	60 - 300				
50A	2B	0.6 - 3	20 - 100	10	100	220	160
		3 - 15	90 - 450				



PART LIST

NO	NAME	MATERIAL		
		NO.1	NO.2	NO.3
1	Body	SGP	SUS304	SUS316
2	Socket	SS41	SUS304	SUS316
3	Cover	AL	AL	SUS316
4	Sight Glass	GLASS (H.S)		
5	Flow Sensor	ABS		