



# Flowmeter Product Directory

MODEL : ASTA



ASTA-1-3-P-1

## FEATURES

·본 제품은 순간유량 측정용(AST)에 접점(Alarm Contact) 기능을 추가한 제품으로 접점신호는 1점점과 2 점점으로 구분 한다.

## SPECIFICATION

CON'N	SIZE	MAT'L	PRESS.	TEMP.	ACCURACY
SCREW	8A-25A	SUS 304/316	MAX. 10kgf/cm <sup>2</sup>	MAX. 80°C	FS ±3.0%

## ALARM CONTACT

CAPACITY	AC220V 0.5A / DC24V 0.05A
CONTACT OUTPUT	HIGH OR LOW SET ALARM
CONTACT TYPE	SENSOR SELF HOLDING FORM
CONTACT RATE	SPST RELAY OUTPUT
CABLE CODE	0.4m (10m AVAILABLE)
AMBIENT TEMP	-10 ~80°C

## MODEL CODE

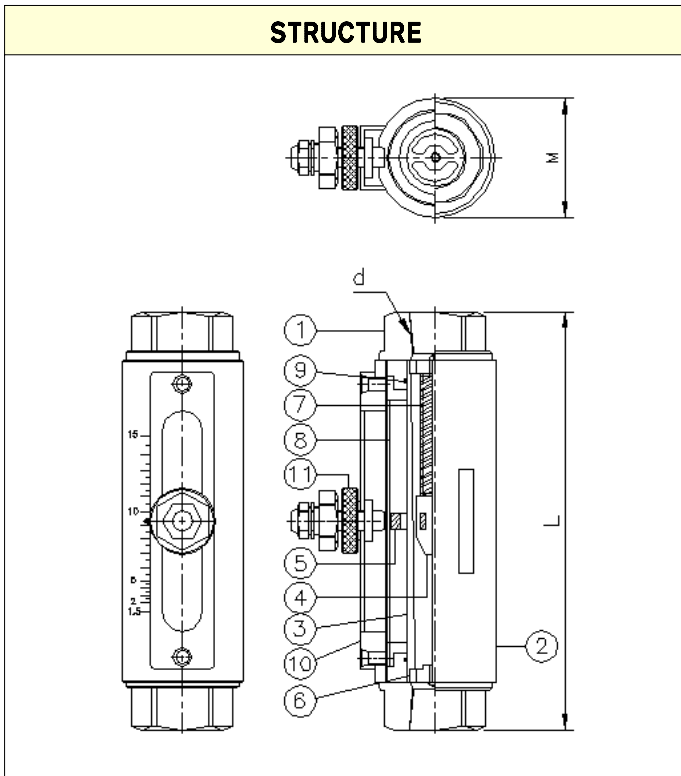
ASTA	-	<input type="checkbox"/>	-	<input type="checkbox"/>	-	<input type="checkbox"/>	-	<input type="checkbox"/>	DESCRIPTION
FLOW DIRECTION		1							BOTTOM - TOP
		5							SIDE - SIDE
MATERIAL			2						SUS304
			3						SUS316
			0						OTHER
CONNECTION					P				PT(Male / Female)
					N				NPT(Male / Female)
					0				OTHER
CONTACT							1		ONE POINT ALARM
							2		TWO POINT ALARM



# Flowmeter Product Directory

MODEL : ASTA

FLOW RATE					
DIVIDE	ALLOW RANGE		LIMIT	LENGTH ( mm )	
	LIQUID ( L/min )	GAS ( NL/min )		M	L
FLOAT SIZE(d)	SUS304	SUS304	( kgf/cm <sup>2</sup> )		
10A	0.5 - 5	5 - 50	10	50	130
	1 - 10	10 - 100			150
15A	1.5 - 15	15 - 150	10	50	150
	2 - 20	20 - 200			
		30 - 300			
20A	3 - 30	30 - 300	10	50 (75)	150
	4 - 40	40 - 400			200
	5 - 50	50 - 500			
		60 - 600			
25A	6 - 60	70 - 700	8	50 (75)	200
	7 - 70	80 - 800			
		90 - 900			
		100 - 1000			



**PART LIST**

NO	NAME	MATERIAL	
		NO.2	NO.3
1	Body	SUS304	SUS316
2	Cover	SUS304	SUS304
3	Taper Tube	SUS304	SUS316
4	Float	SUS304	SUS316
5	Index	MAGNET	
6	Stopper	SUS304	SUS316
7	Spring	SUS304	SUS316
8	Sight Scale	ACRYL, PC	
9	Packing	NBR, VITON, TEFLON	
10	Support	BSBM	
11	Sensor	AL + CABLE	