



Flowmeter Product Directory

MODEL : APC



APC-1-2-15A

FEATURES

- 액체와 기체의 소 유량 측정에 사용한다.
- 공간이 충분치 않는 장소에 조합하여 설치 할 수 있다.
- 체결 시 부하가 걸리지 않도록 하고 반드시 수직으로 설치한다.

SPECIFICATION

CON`N	SIZE	MAT`L	PRESS.	TEMP.	ACCURACY
SCREW	8A	BSBM	MAX 10kgf/cm ²	MAX 120℃	FS ±1.5%
	10A	SUS304			
	15A	SUS316			

MODEL CODE

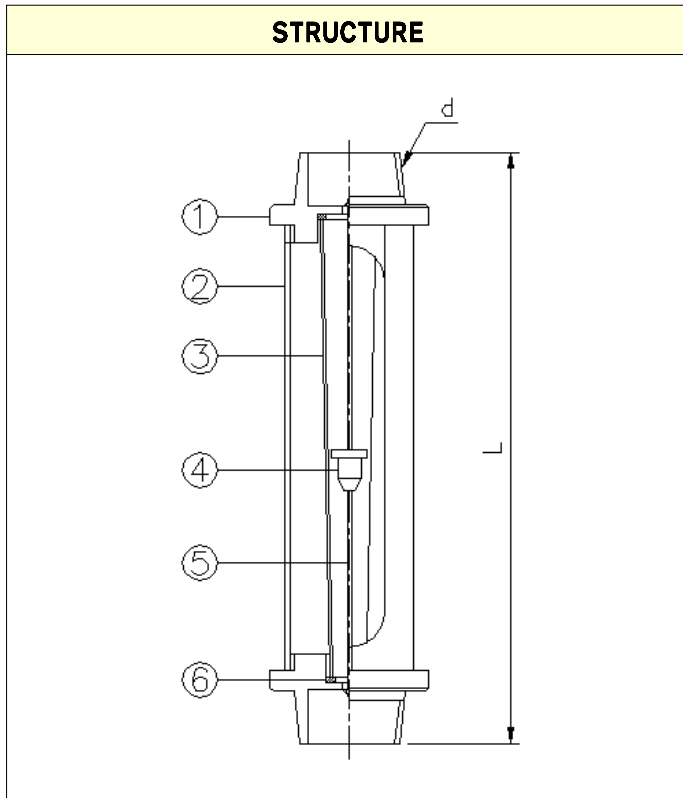
APC	-	□	-	□	-	□	DESCRIPTION
FLOW DIRECTION		1					BOTTOM - TOP
MATERIAL				2			SUS304
				3			SUS316
				7			BSBM
				0			OTHER
CONNECTION						8A	PT 1/4" (male, Female)
						10A	PT 3/8" (male, Female)
						15A	PT 1/2" (male, Female)
						0	OTHER



Flowmeter Product Directory

MODEL : APC

FLOW RATE						
DIVIDE SIZE(d)		STANDARD	GENERAL		LIMIT	LENGTH
		H ₂ O	LIQUID (L/h)	AIR (NL/h)	kgf/cm ²	L (mm)
8A	1/4B	0.05-0.5 ℓ/min	2-20 } 10-100	30-300	10	220
		0.1-1 ℓ/min		60-600		
		0.15-1.5 ℓ/min		100-1000		
		10-100 ℓ/h		150-1500		
10A	3/8B	0.2-2 ℓ/min	10-100 } 40-400	150-1500	8	220
		0.4-4 ℓ/min		200-2000		
		20-200 ℓ/h		300-3000		
		30-300 ℓ/h		400-4000		
		40-400 ℓ/h		500-5000		
15A	1/2B	1-10 ℓ/min	40-400 } 100-1000	500-5000	8	220
		50-500 ℓ/h		600-6000		
		80-800 ℓ/h		800-8000		260
		100-1000 ℓ/h		1000-10000		



PART LIST

NO	NAME	MATERIAL		
		NO.1	NO.2	NO.3
1	Body	BSBM	SUS304	SUS316
2	Cover	AL / SUS304		
3	Taper Tube	PYREX GLASS		
4	Float	SUS, GLASS, ACETAL, TEFLON		
5	Guid Rod	SUS304 / 316		
6	Packing	NBR, VITON, EPDM		