



Flowmeter Product Directory

MODEL : AMC



FEATURES

- 유량에 비례하는 출력을 발생시키고 현장 지시와 원격 제어가 가능하도록 설계되어 있다.
- 출력 전송은 4~20mA, 1-5V 로 발신 한다.

SPECIFICATION

CON`N	SIZE	MAT`L	PRESS.		TEMP.		ACCURACY	
			ST.	SP.	ST.	SP.	H ₂ O	GAS
FLANGE	15A-100A	SUS	ST.	10kgf/cm ²	ST.	120℃	FS	FS
SCREW	15A-65A	304/316	SP.	20kgf/cm ²	SP.	200℃	±1.0%	±1.5%

TRANSMITTER(4-20mA)

POWER SUPPLY	DC 24V
SIGNAL OUTPUT	4-20 mA DC (1-5V)
WIRING	2-WIRE SYSTEM
CABLE ENTRY	PROOF TERMINAL BOX
OUTPUT ACCURACY	FS±0.5%
AMBIENT TEMP	-10 ~90℃

MODEL CODE

AMC	-	□	-	□	-	□	DESCRIPTION
TYPE		3000					LOCAL INDICATOR WITH ELECTRIC SIGNAL (4-20mA)
MATERIAL				2			SUS304
				3			SUS316
				0			OTHER
CONNECTION						J	JIS 10K RF (FF)
						A	ANSI 150# RF (FF)
						D	DIN PN10/16
						P	PT(Male / Female)
						N	NPT(Male / Female)
						O	OTHER



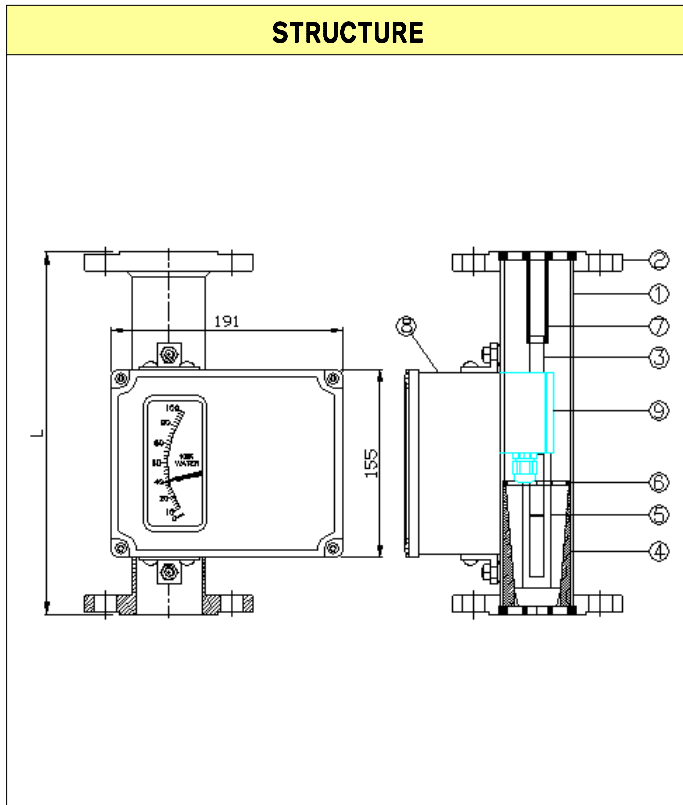
한국아토셀(주)
ATOZCELL KOREA CO.,LTD.



Flowmeter Product Directory

MODEL : AMC

FLOW RATE						
SIZE	DIVIDE	STANDARD	GENERAL		LOSS	LENGTH (mm)
		H ₂ O(m ³ /h)	STEAM (kg/h)	AIR (Nm ³ /h)	mmH ₂ O	L
15A	1/2B	0.1 - 1	3~30	0.3 - 3 2 - 20	500	300
20A	3/4B	0.15 - 1.5	7~70	0.3 - 3 3 - 30	500	300
25A	1B	0.35 - 3.5	10~100	1.5 - 15 6 - 60	500	300
32A	1 1/4B	0.6 - 6	15~150	3 - 30 10 - 100	500	300
40A	1 1/2B	1.0 - 10	25~250	4.5 - 45 15 - 150	700	300
50A	2B	1.5 - 15	40~400	5 - 50 20 - 200	500	300
65A	2 1/2B	2.5 - 25	60~600	9 - 90 40 - 400	600	300
80A	3B	4.0 - 40	75~750	15 - 150 70 - 700	700	300 350
100A	4B	6.0 - 60	120~1200	20 - 200 100 - 1000	900	300 350



PART LIST

NO	NAME	MATERIAL	
		NO.2	NO.3
1	Body	SUS304	SUS316
2	Flange	SUS304	SUS316
3	Float	SUS304	SUS316
4	Taper Tube	SUS304	SUS316
5	Magnet Rod	SUS304+ALNICO	SUS316+ALNICO
6	Collar	SUS304	SUS316
7	Upper Stopper	SUS304	SUS316
8	Indicator room	ADC12	
9	Terminal room	ADC12	