



Flowmeter Product Directory

MODEL : ALF



FEATURES

·본 제품은 순간유량 측정과 접점, 경보(Alarm Signal) 기능을 추가한 제품으로 접점신호는 1접점과 2 접점으로 구분 한다.

SPECIFICATION

CON'N	SIZE	MAT'L	PRESS.	TEMP.	ACCURACY
FLANGE	15-150A	SUS304/316	10 kgf/cm ² (Max.)	120℃ (Max.)	FS±1.5%

ALARM CONTACT

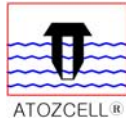
Power Source	DC 24V
Capacity	3A
Contact Type	Sensor Self Holding Form
Contact Output	SPDT or 2-SPDT
Contact Amplification	Relay Unit
Ambient Temp.	-10℃ ~ 80℃

MODEL CODE

ALF	-	<input type="checkbox"/>	-	<input type="checkbox"/>	-	<input type="checkbox"/>	-	<input type="checkbox"/>	DESCRIPTION
ACCESSORY		W							WITHOUT
		S							COCK VALVE
		C							CONNECTOR
MATERIAL				1					SS41
				2					SUS304
				3					SUS316
				0					OTHER
CONTACT						W			WITHOUT
						1			SPDT(ALARM)
						2			2-SPDT(ALARM)
CONNECTION								J	JIS 10K FF
								A	ANSI 150# RF
								D	DIN 10/16 BAR
								O	OTHER



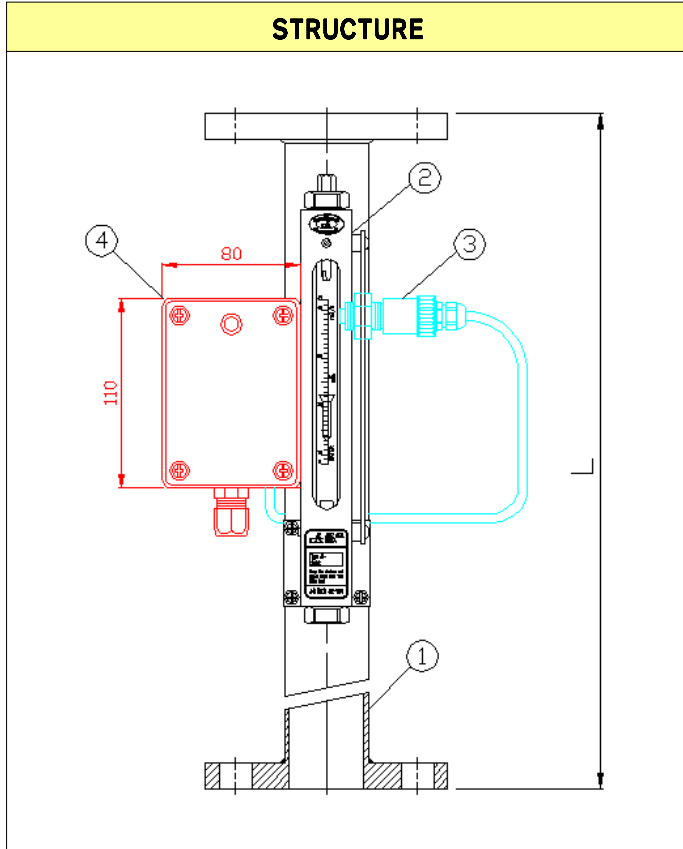
한국아토셀(주)
ATOZCELL KOREA CO.,LTD.



Flowmeter Product Directory

MODEL : ALF

FLOW RATE						
SIZE (d)		H ₂ O(m ³ /h)		AIR (Nm ³ /h) 760mmHg(A) 20°C		Length (mm)
A	B	Flow Rate	One Scale	Flow Rate	One Scale	L
10A	3/8B	0.08~0.42	0.01	0.8~4	0.1	520
15A	1/2B	0.3~1.5	0.025	2~9.2	0.2	520
20A	3/4B	0.45~2.4	0.05	5~23	0.5	520
25A	1B	0.8~4.2	0.1	8~40	1	520
32A	1 1/4B	1.2~6.4	0.2	12~60	2	520
40A	1 1/2B	3~15	0.5	18~90	2	520
50A	2B	5~25	0.5	35~175	5	520
65A	2 1/2B	6~32	1	60~300	10	540
80A	3B	8~42	1	80~400	10	540
100A	4B	16~80	2	160~800	20	540
125A	5B	25~125	5	250~1250	50	540
150A	6B	35~180	5	350~1700	50	540



PART LIST

NO	NAME	MATERIAL		
		NO.1	NO.2	NO.3
1	Body(Orifice)	SS41	SUS304	SUS316
2	Indicator	BSBM	SUS304	SUS316
3	Cable Sensor	AL(MFS. PACKAGE)		
4	Contact Room	ABS(MFS. PACKAGE)		

