



# Flowmeter Product Directory

MODEL : ATH-2



## FEATURES

- 오수, 폐수 및 불투명 유체 측정에 적합 하도록 설계 되어 있다.
- 투명한 지시부를 통해 직접적으로 유량 관찰 및 측정을 할 수 있다.
- 용도에 따라 Alarm Switch(On,Off)를 부가 할 수 있다.

## SPECIFICATION

CON`N	SIZE	MAT`L	PRESS.	TEMP.	ACCURACY
FLANGE	15A-200A	STEEL	MAX 10kgf/cm2	MAX 120℃	FS ±2.0%
		SUS304			
		SUS316			

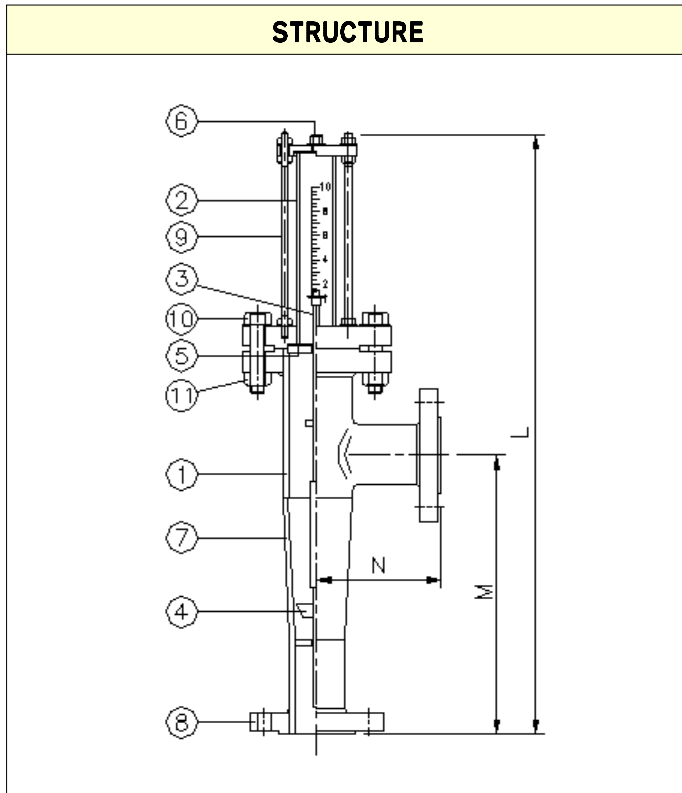
MODEL CODE										
ATH	-	<input type="checkbox"/>	-	<input type="checkbox"/>	-	<input type="checkbox"/>			DESCRIPTION	
FLOW DIRECTION		2							BOTTOM - TOP SIDE	
MATERIAL				1					STEEL	
				2					SUS304	
				3					SUS316	
				4					PVC	
				0					OTHER	
CONNECTION						J			JIS 10K RF (FF)	
						A				ANSI 150# RF (FF)
						D				DIN PN10/16
						0				OTHER
CONTACT							W		WITHOUT	
							1			ONE POINT ALARM



# Flowmeter Product Directory

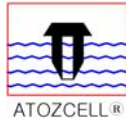
MODEL : ATH-2

FLOW RATE																
DIVIDE Float Size	STANDARD H <sub>2</sub> O (m <sup>3</sup> /h)	GENERAL			LOSS (mmH <sub>2</sub> O)		LIMIT (kgf/cm <sup>2</sup> )		WEIGHT (kg)		LENGTH (mm)					
		LIQUID (m <sup>3</sup> /h)		AIR (Nm <sup>3</sup> /h)	H <sub>2</sub> O	AIR	SUS	PVC	SUS	PVC	M	N	L			
		SUS304	SUS304	PVC										SUS304		
15A	0.1 - 1	0.02 - 0.2	0.05 - 0.5	0.6 - 6	250	150	10	3	6	2	400	80	670			
		0.2 - 2	0.15 - 1.5	3 - 30												
20A	0.2 - 2	0.08 - 0.8	0.1 - 1	1.6 - 16	300	200	10	3	7	2						
		0.35 - 3.5	0.25 - 2.5	5 - 50												
25A	0.4 - 4	0.1 - 1	0.1 - 1	2 - 20	300	200	10	3	10	2.5						
		0.6 - 6	0.4 - 4	9 - 90												
32A	0.6 - 6	0.1 - 1	0.1 - 1	2 - 20	300	200	9	3	12	3	420	100	710			
		1 - 10	0.8 - 8	15 - 150												
40A	0.8 - 8	0.2 - 2	0.2 - 2	4 - 40	300	200	9	3	13	3						
		1.5 - 15	1.2 - 12	20 - 200												
50A	1.5 - 15	0.5 - 5	0.5 - 5	6 - 60	300	300	9	3	16	5	480	120	790			
		2.5 - 25	1.5 - 15	40 - 400												
65A	2.5 - 25	0.8 - 8	1.2 - 12	10 - 100	400	300	8	3	23	6.5				500	150	810
		4 - 40	3 - 30	60 - 600												
80A	4 - 40	1.2 - 12	1.5 - 15	12 - 120	400	300	8	2	30	10	550	180	980			
		5 - 50	4 - 40	80 - 800												
100A	6 - 60	2.5 - 25	3 - 30	25 - 250	500	300	8	2	45	14				600	220	1030
		9 - 90	7 - 70	120 - 1200												
125A	10 - 100	4 - 40		40 - 400	500	300	7		60		650	250	1090			
		15 - 150		200 - 2000												
150A	14 - 140	6 - 60		60 - 600	500	300	7		80					700	280	1230
		20 - 200		300 - 3000												
200A	20 - 200	10 - 100		100 - 1000	500	300	7		130		800	280	1230			
		28 - 280		400 - 4000												



**PART LIST**

NO	NAME	MATERIAL			
		NO.1	NO.2	NO.3	NO.4
1	Body	SPP	SUS304	SUS316	PVC
2	Sight	ACRYL, PC, GLASS			
3	Index	SUS304	SUS316	PVC	
4	Float	SUS304	SUS316	PVC	
5	Packing	NBR, VITON, SILICON, TEFLON			
6	Vent Plug	SUS304	SUS316	SUS316	PVC
7	Tube	SUS304	SUS304	SUS316	PVC
8	Flange	SS400	SUS304	SUS316	PVC
9	Stay Bolt	STEEL	SUS304	SUS304	
10	Bolt	STEEL	SUS304	SUS304	
11	Nut	STEEL	SUS304	SUS304	



# Flowmeter Product Directory

MODEL : ATH-4



ATH-4-1-J-W

## FEATURES

- 오수, 폐수 및 불투명 유체 측정에 적합 하도록 설계 되어 있다.
- 투명한 지시부를 통해 직접적으로 유량 관찰 및 측정을 할 수 있다.
- 용도에 따라 Alarm Switch(On,Off)를 부가 할 수 있다.

## SPECIFICATION

CON`N	SIZE	MAT`L	PRESS.	TEMP.	ACCURACY
FLANGE	15A-200A	STEEL	MAX 10kgf/cm2	MAX 120℃	FS ±2.0%
		SUS304			
		SUS316			

## MODEL CODE

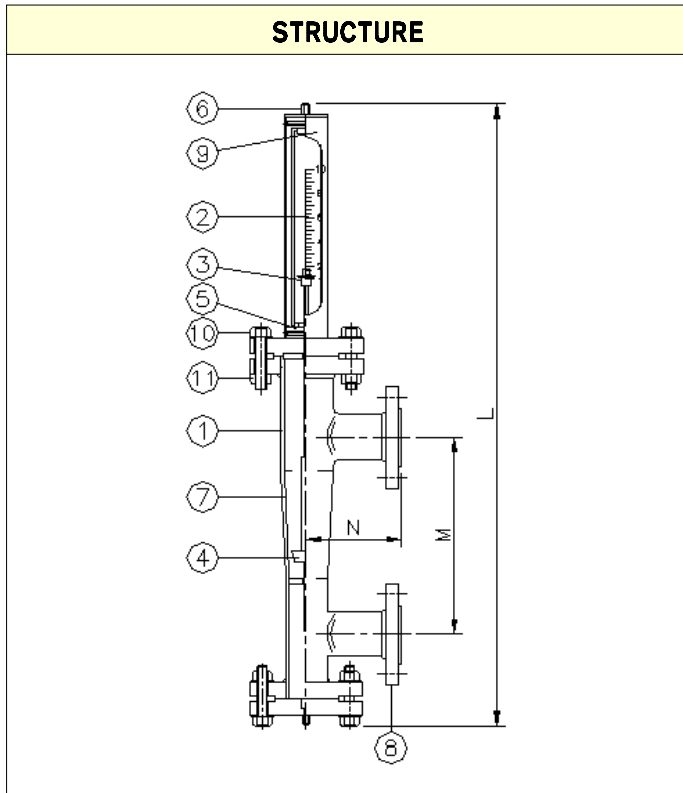
ATH	-	<input type="checkbox"/>	-	<input type="checkbox"/>	-	<input type="checkbox"/>			DESCRIPTION
FLOW DIRECTION		4							BOTTOM SIDE - TOP SIDE
MATERIAL				1					STEEL
				2					SUS304
				3					SUS316
				4					PVC
				0					OTHER
CONNECTION						J			JIS 10K RF (FF)
						A			ANSI 150# RF (FF)
						D			DIN PN10/16
						0			OTHER
CONTACT							W		WITHOUT
							1		ONE POINT ALARM



# Flowmeter Product Directory

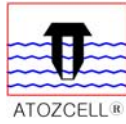
MODEL : ATH-4

FLOW RATE																			
DIVIDE Float Size	STANDARD H <sub>2</sub> O (m <sup>3</sup> /h)	GENERAL			LOSS (mmH <sub>2</sub> O)		LIMIT (kgf/cm <sup>2</sup> )		WEIGHT (kg)		LENGTH (mm)								
		LIQUID (m <sup>3</sup> /h)		AIR (N <sup>m</sup> /h)	H <sub>2</sub> O	AIR	SUS	PVC	SUS	PVC	M	N	L						
		SUS304	SUS304	PVC										SUS304					
15A	0.1 - 1	0.02 - 0.2	0.05 - 0.5	0.6 - 6	250	150	10	3	6	2	350	80	750						
		0.2 - 2	0.15 - 1.5	3 - 30															
20A	0.2 - 2	0.08 - 0.8	0.1 - 1	1.6 - 16	300	200	10	3	7	2									
		0.35 - 3.5	0.25 - 2.5	5 - 50															
25A	0.4 - 4	0.1 - 1	0.1 - 1	2 - 20	300	200	10	3	10	2.5									
		0.6 - 6	0.4 - 4	9 - 90															
32A	0.6 - 6	0.1 - 1	0.1 - 1	2 - 20	300	200	9	3	12	3	380	100	800						
		1 - 10	0.8 - 8	15 - 150															
40A	0.8 - 8	0.2 - 2	0.2 - 2	4 - 40	300	200	9	3	13	3									
		1.5 - 15	1.2 - 12	20 - 200															
50A	1.5 - 15	0.5 - 5	0.5 - 5	6 - 60	300	300	9	3	16	5				420	120	860			
		2.5 - 25	1.5 - 15	40 - 400															
65A	2.5 - 25	0.8 - 8	1.2 - 12	10 - 100	400	300	8	3	23	6.5	440	150	900						
		4 - 40	3 - 30	60 - 600															
80A	4 - 40	1.2 - 12	1.5 - 15	12 - 120	400	300	8	2	30	10							470	950	
		5 - 50	4 - 40	80 - 800															
100A	6 - 60	2.5 - 25	3 - 30	25 - 250	500	300	8	2	45	14				500	180	1020			
		9 - 90	7 - 70	120 - 1200															
125A	10 - 100	4 - 40		40 - 400	500	300	7		60		550	220	1100						
		15 - 150		200 - 2000															
150A	14 - 140	6 - 60		60 - 600	500	300	7		80								600	250	1150
		20 - 200		300 - 3000															
200A	20 - 200	10 - 100		100 - 1000	500	300	7		130					700	280	1250			
		28 - 280		400 - 4000															



**PART LIST**

NO	NAME	MATERIAL			
		NO.1	NO.2	NO.3	NO.4
1	Body	SPP	SUS304	SUS316	PVC
2	Sight	ACRYL, PC, GLASS			
3	Index	SUS304	SUS316	PVC	
4	Float	SUS304	SUS316	PVC	
5	Packing	NBR, VITON, SILICON, TEFLON			
6	Vent Plug	SUS304	SUS316	SUS316	PVC
7	Tube	SUS304	SUS304	SUS316	PVC
8	Flange	SS400	SUS304	SUS316	PVC
9	Cover	AL / SUS304			
10	Bolt	STEEL	SUS304	SUS304	
11	Nut	STEEL	SUS304	SUS304	



# Flowmeter Product Directory

MODEL : ATH-5



ATH-5-1-J-W

## FEATURES

- 오수, 폐수 및 불투명 유체 측정에 적합 하도록 설계 되어 있다.
- 투명한 지시부를 통해 직접적으로 유량 관찰 및 측정을 할 수 있다.
- 용도에 따라 Alarm Switch(On,Off)를 부가 할 수 있다.

## SPECIFICATION

CON`N	SIZE	MAT`L	PRESS.	TEMP.	ACCURACY
FLANGE	15A-200A	STEEL	MAX 10kgf/cm2	MAX 120℃	FS ±2.0%
		SUS304			
		SUS316			

## MODEL CODE

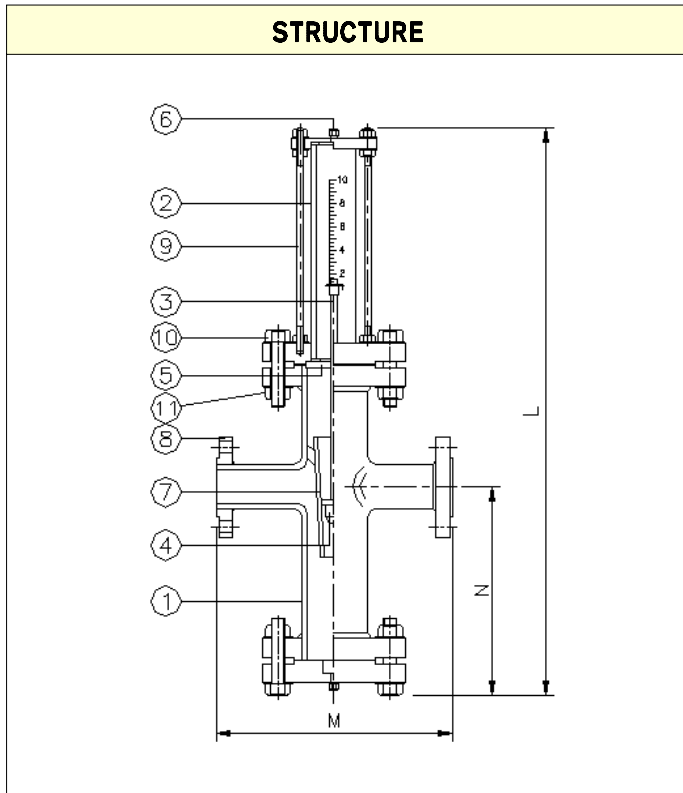
ATH	-	□	-	□	-	□			DESCRIPTION
FLOW DIRECTION		5							SIDE - SIDE
MATERIAL				1					STEEL
				2					SUS304
				3					SUS316
				4					PVC
				0					OTHER
CONNECTION						J			JIS 10K RF (FF)
						A			ANSI 150# RF (FF)
						D			DIN PN10/16
						0			OTHER
CONTACT							W		WITHOUT
							1		ONE POINT ALARM



# Flowmeter Product Directory

MODEL : ATH-5

FLOW RATE													
DIVIDE Float Size	STANDARD H <sub>2</sub> O (m <sup>3</sup> /h)	GENERAL			LOSS (mmH <sub>2</sub> O)		LIMIT (kgf/cm <sup>2</sup> )		WEIGHT (kg)		LENGTH (mm)		
		LIQUID (m <sup>3</sup> /h)		AIR (Nm <sup>3</sup> /h)	H <sub>2</sub> O	AIR	SUS	PVC	SUS	PVC	M	N	L
		SUS304	SUS304	PVC									
15A	0.1 - 1	0.02 - 0.2	0.05 - 0.5	0.6 - 6	800	500	10	3	6	2	150	180	440
		0.2 - 2	0.15 - 1.5	3 - 30									
20A	0.2 - 2	0.08 - 0.8	0.1 - 1	1.6 - 16	800	500	10	3	7	2	180	180	440
		0.35 - 3.5	0.25 - 2.5	5 - 50									
25A	0.4 - 4	0.1 - 1	0.1 - 1	2 - 20	800	500	10	3	10	2.5	200	190	460
		0.6 - 6	0.4 - 4	9 - 90									
32A	0.6 - 6	0.1 - 1	0.1 - 1	2 - 20	800	500	9	3	12	3	250	200	510
		1 - 10	0.8 - 8	15 - 150									
40A	0.8 - 8	0.2 - 2	0.2 - 2	4 - 40	800	500	9	3	13	3	250	200	510
		1.5 - 15	1.2 - 12	20 - 200									
50A	1.5 - 15	0.5 - 5	0.5 - 5	6 - 60	800	500	9	3	16	5	280	240	570
		2.5 - 25	1.5 - 15	40 - 400									
65A	2.5 - 25	0.8 - 8	1.2 - 12	10 - 100	900	550	8	3	23	6.5	350	240	570
		4 - 40	3 - 30	60 - 600									
80A	4 - 40	1.2 - 12	1.5 - 15	12 - 120	900	550	8	2	30	10	400	260	610
		5 - 50	4 - 40	80 - 800									
100A	6 - 60	2.5 - 25	3 - 30	25 - 250	1000	600	8	2	45	14	500	300	700
		9 - 90	7 - 70	120 - 1200									
125A	10 - 100	4 - 40		40 - 400	1200	750	7		60		550	320	790
		15 - 150		200 - 2000									
150A	14 - 140	6 - 60		60 - 600	1200	750	7		80		600	340	870
		20 - 200		300 - 3000									
200A	20 - 200	10 - 100		100 - 1000	1500	900	7		130		700	340	870
		28 - 280		400 - 4000									



**PART LIST**

NO	NAME	MATERIAL			
		NO.1	NO.2	NO.3	NO.4
1	Body	SPP	SUS304	SUS316	PVC
2	Sight	ACRYL, PC, GLASS			
3	Index	SUS304	SUS316	PVC	
4	Float	SUS304	SUS316	PVC	
5	Packing	NBR, VITON, SILICON, TEFLON			
6	Vent Plug	SUS304	SUS316	SUS316	PVC
7	Tube	SUS304	SUS304	SUS316	PVC
8	Flange	SS400	SUS304	SUS316	PVC
9	Stay Bolt	STEEL	SUS304	SUS304	
10	Bolt	STEEL	SUS304	SUS304	
11	Nut	STEEL	SUS304	SUS304	



# Flowmeter Product Directory

MODEL : ATC-2



ATC-2-2-J-W

## FEATURES

- 금속제 챔버(CHAMBER)가 내장되어 진동이나 외부의 충격에 강하고 고온·고압·에서도 사용이 가능하다.
- 오수, 폐수 및 슬러지, 약액 등의 유체 측정에 적합하도록 설계되어 있다.
- 투명한 지시부를 통해 직접적으로 유량 관찰 및 측정을 할수 있다.

## SPECIFICATION

CON`N	SIZE	MAT`L	PRESS.	TEMP.	ACCURACY
FLANGE	15A-200A	STEEL	MAX 10kgf/cm2	MAX 120℃	FS ±2.0%
		SUS304			
		SUS316			

## MODEL CODE

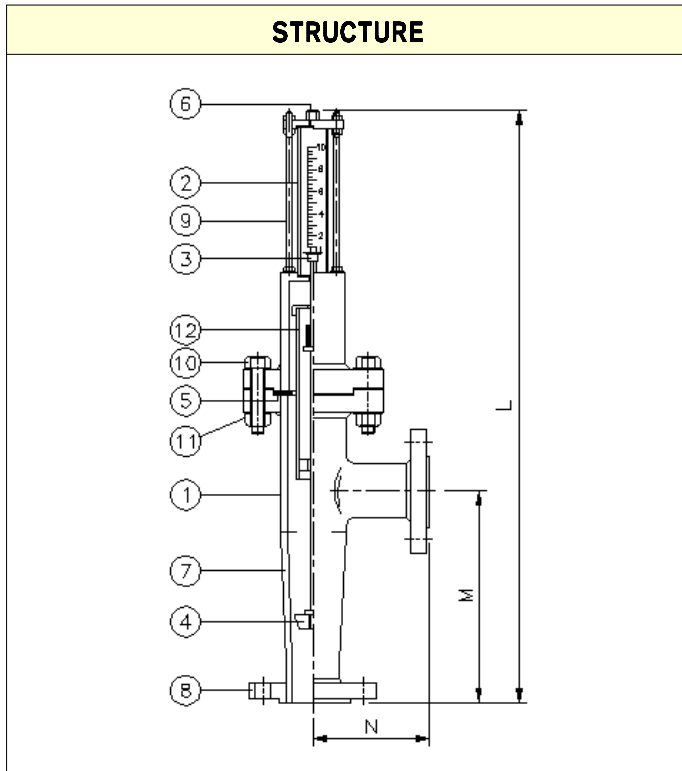
ATC	-	□	-	□	-	□			DESCRIPTION	
FLOW DIRECTION		2							BOTTOM - TOP SIDE	
MATERIAL				1					STEEL	
				2					SUS304	
				3					SUS316	
				4					PVC	
				0					OTHER	
CONNECTION						J			JIS 10K RF (FF)	
						A				ANSI 150# RF (FF)
						D				DIN PN10/16
						0				OTHER
CONTACT							W		WITHOUT	
							1			ONE POINT ALARM



# Flowmeter Product Directory

MODEL : ATC-2

FLOW RATE													
DIVIDE Float Size	STANDARD H <sub>2</sub> O (m <sup>3</sup> /h)	GENERAL			LOSS (mmH <sub>2</sub> O)		LIMIT (kgf/cm <sup>2</sup> )		WEIGHT (kg)		LENGTH (mm)		
		LIQUID (m <sup>3</sup> /h)		AIR (Nm <sup>3</sup> /h)	H <sub>2</sub> O	AIR	SUS	PVC	SUS	PVC	M	N	L
		SUS304	SUS304 PVC	SUS304									
15A	0.1 - 1	0.02 - 0.2	0.05 - 0.5	0.6 - 6	250	150	10	3	6	2	240	80	695
		0.2 - 2	0.15 - 1.5	3 - 30									
20A	0.2 - 2	0.08 - 0.8	0.1 - 1	1.6 - 16	300	200	10	3	7	2	240	80	720
		0.35 - 3.5	0.25 - 2.5	5 - 50									
25A	0.4 - 4	0.1 - 1	0.1 - 1	2 - 20	300	200	10	3	10	2.5	260	100	745
		0.6 - 6	0.4 - 4	9 - 90									
32A	0.6 - 6	0.1 - 1	0.1 - 1	2 - 20	300	200	9	3	12	3	260	100	750
		1 - 10	0.8 - 8	15 - 150									
40A	0.8 - 8	0.2 - 2	0.2 - 2	4 - 40	300	200	9	3	13	3	280	100	750
		1.5 - 15	1.2 - 12	20 - 200									
50A	1.5 - 15	0.5 - 5	0.5 - 5	6 - 60	300	300	9	3	16	5	320	120	845
		2.5 - 25	1.5 - 15	40 - 400									
65A	2.5 - 25	0.8 - 8	1.2 - 12	10 - 100	400	300	8	3	23	6.5	320	150	870
		4 - 40	3 - 30	60 - 600									
80A	4 - 40	1.2 - 12	1.5 - 15	12 - 120	400	300	8	2	30	10	340	150	925
		5 - 50	4 - 40	80 - 800									
100A	6 - 60	2.5 - 25	3 - 30	25 - 250	500	300	8	2	45	14	400	180	1115
		9 - 90	7 - 70	120 - 1200									
125A	10 - 100	4 - 40		40 - 400	500	300	7		60		440	220	1200
		15 - 150		200 - 2000									
150A	14 - 140	6 - 60		60 - 600	500	300	7		80		480	250	1345
		20 - 200		300 - 3000									
200A	20 - 200	10 - 100		100 - 1000	500	300	7		130		600	280	1465
		28 - 280		400 - 4000									



**PART LIST**

NO	NAME	MATERIAL			
		NO.1	NO.2	NO.3	NO.4
1	Body	SPP	SUS304	SUS316	PVC
2	Sight	ACRYL, PC, GLASS			
3	Index	SUS304	SUS316	PVC	
4	Float	SUS304	SUS316	PVC	
5	Packing	NBR, VITON, SILICON, TEFLON			
6	Vent Plug	SUS304	SUS316	SUS316	PVC
7	Tube	SUS304	SUS304	SUS316	PVC
8	Flange	SS400	SUS304	SUS316	PVC
9	Stay Bolt	STEEL	SUS304	SUS304	
10	Bolt	STEEL	SUS304	SUS304	
11	Nut	STEEL	SUS304	SUS304	
12	Chamber	SUS304	SUS316	PVC	





# Flowmeter Product Directory

MODEL : ATD



ATD-4-1-P

## FEATURES

- 전체가 금속형으로 구성되어 있고 유량지시부에 투명관을 설치 투시되는 가동부의 위치를 판독하여 직접유량을 확인 또는 측정할 수 있다.  
액체보다는 기체 측정에 더 적합하며 특히 미소 유량 측정에 최적이다.
- 내부에 Damper가 설치되어 맥동류를 제어 할 수 있도록 설계되어 있다.

## SPECIFICATION

CON`N	SIZE	MAT`L	PRESS.	TEMP.	ACCURACY
SCREW	10A ~65A	STEEL	MAX 10kgf/cm <sup>2</sup>	MAX 120℃	FS ±1.5%
FLANGE	15A~150A	SUS304 SUS316			

## MODEL CODE

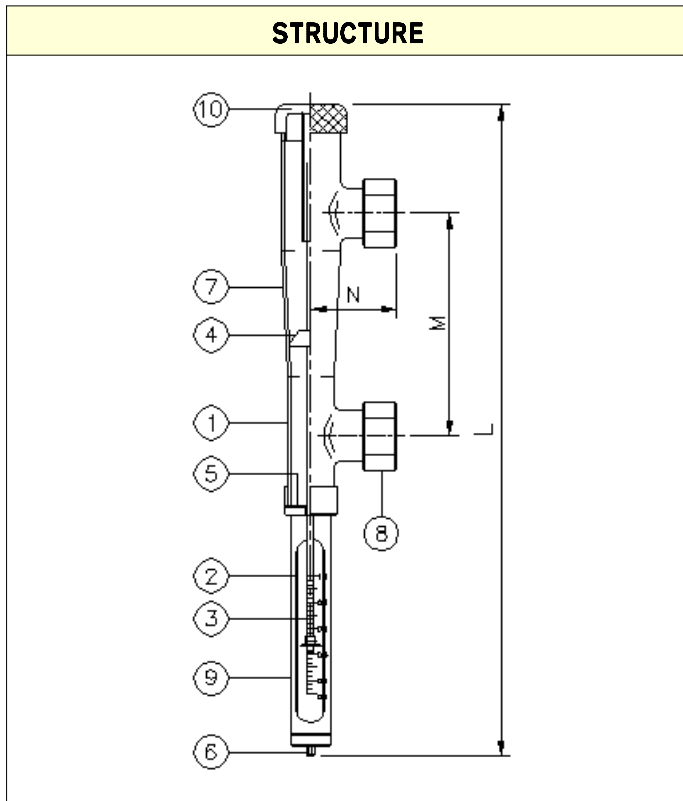
ATD	-	□	-	□	-	□	DESCRIPTION
FLOW DIRECTION		4					BOTTOM SIDE - TOP SIDE
		3					BOTTOM SIDE - TOP (Special)
MATERIAL				1			STEEL
				2			SUS304
				3			SUS316
				O			OTHER
CONNECTION						J	JIS 10K RF
						A	ANSI 150# RF
						D	DIN PN10/16
						P	PT(Male / Female)
						N	NPT(Male / Female)
						O	OTHER



# Flowmeter Product Directory

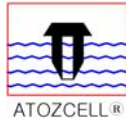
MODEL : ATD

FLOW RATE										
SIZE	DIVIDE	STANDARD H <sub>2</sub> O (m <sup>3</sup> /h)	GENERAL		LOSS (mmH <sub>2</sub> O)		LIMIT (kgf/cm <sup>2</sup> )	LENGTH (mm)		
			LIQUID (m <sup>3</sup> /h)	AIR (Nm <sup>3</sup> /h)	H <sub>2</sub> O	AIR		M	N	L
									SCREW (FLANGE)	
15A		0.1 - 1.0	0.02 - 0.2 0.2 - 2	0.6 - 6 3 - 30	500	200	10	250	50 (100)	650
20A		0.2 - 2.0	0.08 - 0.8 0.35 - 3.5	1.6 - 16 5 - 50	500	200	10	250	50 (100)	650
25A		0.4 - 4.0	0.1 - 1 0.6 - 6	2 - 20 9 - 90	450	200	10	250	50 (100)	700
32A		0.6 - 6.0	0.1 - 1 1 - 10	2 - 20 15 - 150	300	200	9	250	50 (100)	700
40A		0.8 - 8.0	0.2 - 2 1.5 - 15	4 - 40 20 - 200	300	200	9	305	50 (100)	740
50A		1.5 - 15	0.5 - 5 2.5 - 25	6 - 60 40 - 400	400	200	9	320	60 (100)	760
65A		2.5 - 25	0.8 - 8 4 - 40	10 - 100 60 - 600	450	300	8	340	80 (150)	800
80A		4 - 40	1.2 - 12 5 - 50	12 - 120 80 - 800	650	350	8	360	100 (150)	850
100A		6 - 60	2.5 - 25 9 - 90	25 - 250 120 - 1200	700	400	8	410	130 (150)	920
125A		10 - 100	4 - 40 15 - 150	40 - 400 200 - 2000	1000	500	7	460	180 (250)	1050
150A		14 - 140	6 - 60 20 - 200	60 - 600 300 - 3000	1000	550	7	500	200 (250)	1200



**PART LIST**

NO	NAME	MATERIAL		
		NO.1	NO.2	NO.3
1	Body	SPP	SUS304	SUS316
2	Sight Scale	ACRYL, PC, GLASS		
3	Index	SUS304	SUS316	
4	Float	SUS304	SUS316	
5	Packing	NBR, VITON, SILICON, TEFLON		
6	Vent Plug	SUS304	SUS316	
7	Taper Tube	SUS304	SUS304	SUS316
8	Connection	SS41	SUS304	SUS316
9	Cover	AL, SUS304		
10	Body Lid	STEEL	SUS304	SUS316



# Flowmeter Product Directory

MODEL : ATD



ATD-4-3-N

## FEATURES

- 전체가 금속형으로 구성되어 있고 유량지시부에 투명관을 설치 투시되는 가동부의 위치를 판독하여 직접유량을 확인 또는 측정할 수 있다. 액체보다는 기체 측정에 더 적합하며 특히 미소 유량 측정에 최적이다.
- 내부에 Damper가 설치되어 맥동류를 제어 할 수 있도록 설계되어 있다.

## SPECIFICATION

CON`N	SIZE	MAT`L	PRESS.	TEMP.	ACCURACY
SCREW	10A ~65A	STEEL	MAX 10kgf/cm <sup>2</sup>	MAX 120℃	FS ±1.5%
FLANGE	15A~150A	SUS304 SUS316			

## MODEL CODE

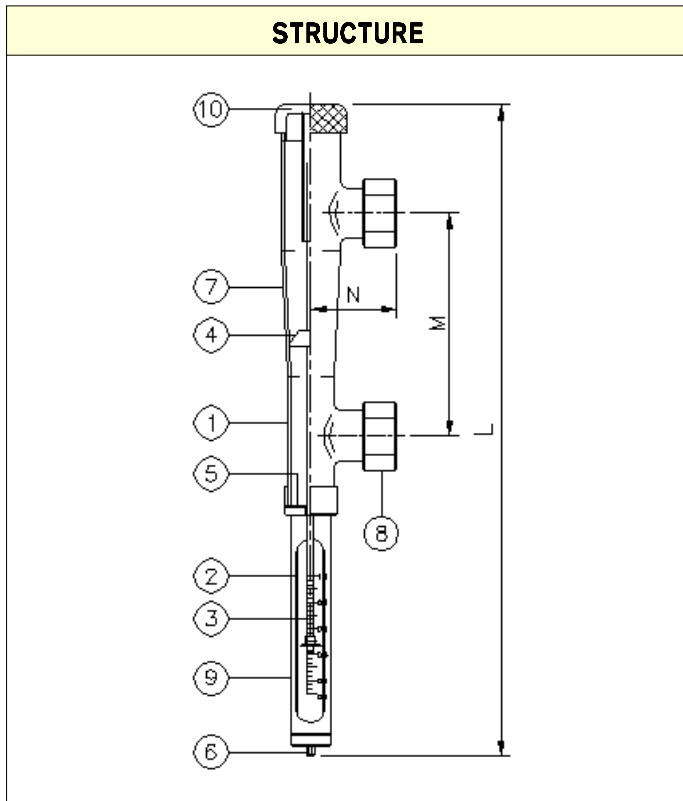
ATD	-	□	-	□	-	□	DESCRIPTION
FLOW DIRECTION		4					BOTTOM SIDE - TOP SIDE
		3					BOTTOM SIDE - TOP (Special)
MATERIAL				1			STEEL
				2			SUS304
				3			SUS316
				0			OTHER
CONNECTION						J	JIS 10K RF
						A	ANSI 150# RF
						D	DIN PN10/16
						P	PT(Male / Female)
						N	NPT(Male / Female)
						0	OTHER



# Flowmeter Product Directory

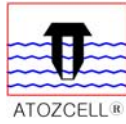
MODEL : ATD

FLOW RATE										
SIZE	DIVIDE	STANDARD H <sub>2</sub> O (m <sup>3</sup> /h)	GENERAL		LOSS (mmH <sub>2</sub> O)		LIMIT (kgf/cm <sup>2</sup> )	LENGTH (mm)		
			LIQUID (m <sup>3</sup> /h)	AIR (Nm <sup>3</sup> /h)	H <sub>2</sub> O	AIR		M	N	L
									SCREW (FLANGE)	
15A		0.1 - 1.0	0.02 - 0.2 0.2 - 2	0.6 - 6 3 - 30	500	200	10	250	50 (100)	650
20A		0.2 - 2.0	0.08 - 0.8 0.35 - 3.5	1.6 - 16 5 - 50	500	200	10	250	50 (100)	650
25A		0.4 - 4.0	0.1 - 1 0.6 - 6	2 - 20 9 - 90	450	200	10	250	50 (100)	700
32A		0.6 - 6.0	0.1 - 1 1 - 10	2 - 20 15 - 150	300	200	9	250	50 (100)	700
40A		0.8 - 8.0	0.2 - 2 1.5 - 15	4 - 40 20 - 200	300	200	9	305	50 (100)	740
50A		1.5 - 15	0.5 - 5 2.5 - 25	6 - 60 40 - 400	400	200	9	320	60 (100)	760
65A		2.5 - 25	0.8 - 8 4 - 40	10 - 100 60 - 600	450	300	8	340	80 (150)	800
80A		4 - 40	1.2 - 12 5 - 50	12 - 120 80 - 800	650	350	8	360	100 (150)	850
100A		6 - 60	2.5 - 25 9 - 90	25 - 250 120 - 1200	700	400	8	410	130 (150)	920
125A		10 - 100	4 - 40 15 - 150	40 - 400 200 - 2000	1000	500	7	460	180 (250)	1050
150A		14 - 140	6 - 60 20 - 200	60 - 600 300 - 3000	1000	550	7	500	200 (250)	1200



**PART LIST**

NO	NAME	MATERIAL		
		NO.1	NO.2	NO.3
1	Body	SPP	SUS304	SUS316
2	Sight Scale	ACRYL, PC, GLASS		
3	Index	SUS304	SUS316	
4	Float	SUS304	SUS316	
5	Packing	NBR, VITON, SILICON, TEFLON		
6	Vent Plug	SUS304	SUS316	
7	Taper Tube	SUS304	SUS304	SUS316
8	Connection	SS41	SUS304	SUS316
9	Cover	AL, SUS304		
10	Body Lid	STEEL	SUS304	SUS316



# Flowmeter Product Directory

MODEL : ATE



ATE-2-1-J-W

## FEATURES

- 유량 측정부와 지시부가 독립되어있어 유체가 지시부에 유입되지 않아 혼탁하고 불투명한 유체측정에 적합하다.
- 용도에 따라 Alarm Switch(On,Off)를 부가 할 수 있다.

## SPECIFICATION

CON`N	SIZE	MAT`L	PRESS.	TEMP.	ACCURACY
FLANGE	15A~150A	STEEL SUS304 SUS316	MAX 10kgf/cm <sup>2</sup>	MAX 120℃	FS ±1.5%

## MODEL CODE

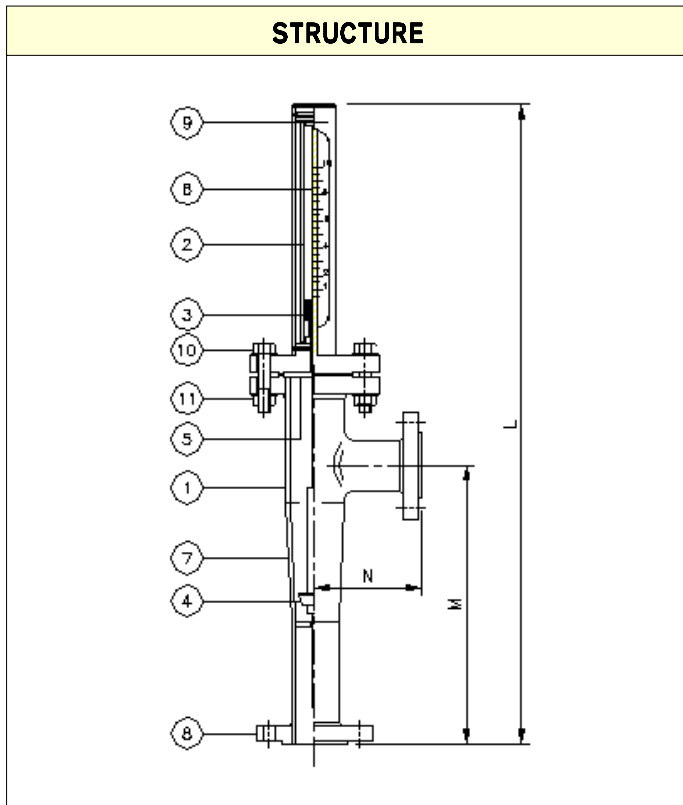
ATE	-	□	-	□	-	□	-	□	DESCRIPTION
FLOW DIRECTION		2							BOTTOM - TOP SIDE
		4							BOTTOM SIDE - TOP SIDE
MATERIAL				1					STEEL
				2					SUS304
				3					SUS316
				0					OTHER
CONNECTION						J			JIS 10K RF
						A			ANSI 150# RF
						D			DIN PN10/16
						O			OTHER
CONTACT								W	WITHOUT
								1	ONE POINT ALARM



# Flowmeter Product Directory

MODEL : ATE

FLOW RATE										
SIZE	DIVIDE	STANDARD H <sub>2</sub> O (m <sup>3</sup> /h)	GENERAL		LOSS (mmH <sub>2</sub> O)		LIMIT (kgf/cm <sup>2</sup> )	LENGTH (mm)		
			LIQUID (m <sup>3</sup> /h)	AIR (Nm <sup>3</sup> /h)	H <sub>2</sub> O	AIR		M 2TYPE (4TYPE)	N	L 2TYPE (4TYPE)
	15A	0.1 - 1.0	0.02 - 0.2 0.2 - 2	0.6 - 6 3 - 30	250	150	10	350 (400)	80	670 (750)
20A	0.2 - 2.0	0.08 - 0.8 0.35 - 3.5	1.6 - 16 5 - 50	300	200	10				
25A	0.4 - 4.0	0.1 - 1 0.6 - 6	2 - 20 9 - 90	300	200	10				
32A	0.6 - 6.0	0.1 - 1 1 - 10	2 - 20 15 - 150	200	200	9	380 (420)	100	710 (800)	
40A	0.8 - 8.0	0.2 - 2 1.5 - 15	4 - 40 20 - 200	200	200	9				
50A	1.5 - 15	0.5 - 5 2.5 - 25	6 - 60 40 - 400	300	300	9	420 (480)	120	790 (860)	
65A	2.5 - 25	0.8 - 8 4 - 40	10 - 100 60 - 600	400	300	8	440 (500)	150	810 (900)	
80A	4 - 40	1.2 - 12 5 - 50	12 - 120 80 - 800	400	300	8	470 (550)		885 (950)	
100A	6 - 60	2.5 - 25 9 - 90	25 - 250 120 - 1200	500	300	8	500 (600)	180	980 (1020)	
125A	10 - 100	4 - 40 15 - 150	40 - 400 200 - 2000	500	300	7	550 (650)	220	1030 (1100)	
150A	14 - 140	6 - 60 20 - 200	60 - 600 300 - 3000	500	300	7	600 (700)	250	1090 (1150)	



**PART LIST**

NO	NAME	MATERIAL		
		NO.1	NO.2	NO.3
1	Body	SPP	SUS304	SUS316
2	Sight Scale	ACRYL, PC, GLASS		
3	Index	MAGNET		
4	Float	SUS304	SUS316	
5	Packing	NBR, VITON, SILICON, TEFLON		
6	Guid Rod	SUS304	SUS316	
7	Taper Tube	SUS304	SUS304	SUS316
8	Flange	SS400	SUS304	SUS316
9	Cover	AL, SUS304		
10	Bolt	STEEL	SUS304	
11	Nut	STEEL	SUS304	



# Flowmeter Product Directory

MODEL : ATHF



ATHF-5-2-J-W

## FEATURES

- 본체(Body)와 지시부(Indicator)사이에 방열판(Colling-Fin)을 장착하여 열을 방출케 하므로써 온도가 높은 불투명한 유체사용에 최적이다.
- 투명한 지시부를 통해 직접적으로 유량 관찰 및 측정을 할 수 있다.

## SPECIFICATION

CON`N	SIZE	MAT`L	PRESS.	TEMP.	ACCURACY
FLANGE	15A-200A	STEEL	MAX 10kgf/cm2	MAX 180℃	FS ±2.0%
		SUS304			
		SUS316			

## MODEL CODE

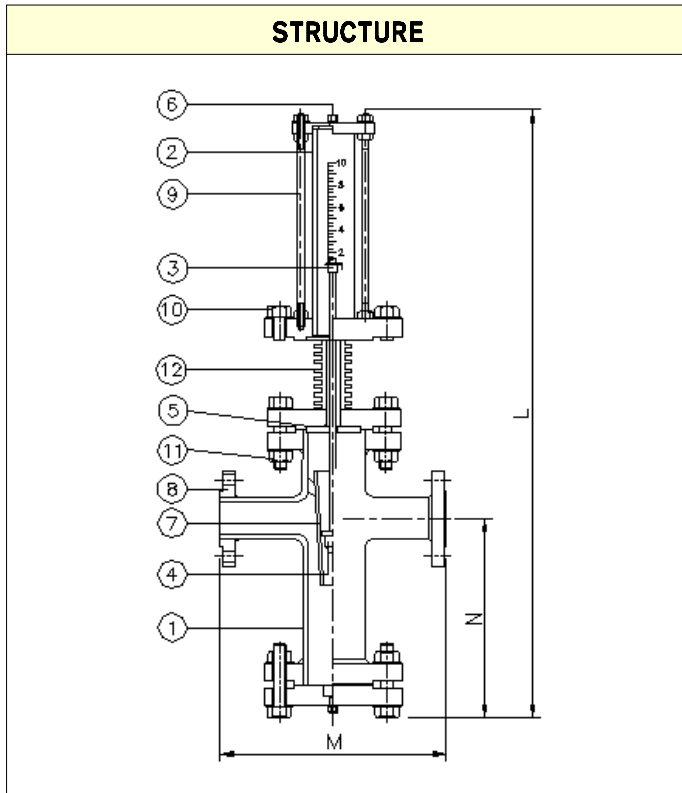
ATHF	-	□	-	□	-	□			DESCRIPTION
FLOW DIRECTION		5							SIDE - SIDE
MATERIAL				1					STEEL
				2					SUS304
				3					SUS316
				4					PVC
				0					OTHER
CONNECTION						J			JIS 10K RF (FF)
						A			ANSI 150# RF (FF)
						D			DIN PN10/16
						0			OTHER
CONTACT							W		WITHOUT
							1		ONE POINT ALARM



# Flowmeter Product Directory

MODEL : ATHF

FLOW RATE													
DIVIDE Float Size	STANDARD H <sub>2</sub> O (m <sup>3</sup> /h)	GENERAL			LOSS (mmH <sub>2</sub> O)		LIMIT (kgf/cm <sup>2</sup> )		WEIGHT (kg)		LENGTH (mm)		
		LIQUID(m <sup>3</sup> /h)		AIR (N <sup>m</sup> /h)	H <sub>2</sub> O	AIR	SUS	PVC	SUS	PVC	M	N	L
		SUS304	SUS304	PVC									
15A	0.1 - 1	0.02 - 0.2	0.05 - 0.5	0.6 - 6	800	500	10	3	6	2	150	180	590
		0.2 - 2	0.15 - 1.5	3 - 30									
20A	0.2 - 2	0.08 - 0.8	0.1 - 1	1.6 - 16	800	500	10	3	7	2	180	180	590
		0.35 - 3.5	0.25 - 2.5	5 - 50									
25A	0.4 - 4	0.1 - 1	0.1 - 1	2 - 20	800	500	10	3	10	2.5	200	190	610
		0.6 - 6	0.4 - 4	9 - 90									
32A	0.6 - 6	0.1 - 1	0.1 - 1	2 - 20	800	500	9	3	12	3	250	200	660
		1 - 10	0.8 - 8	15 - 150									
40A	0.8 - 8	0.2 - 2	0.2 - 2	4 - 40	800	500	9	3	13	3	250	200	660
		1.5 - 15	1.2 - 12	20 - 200									
50A	1.5 - 15	0.5 - 5	0.5 - 5	6 - 60	800	500	9	3	16	5	280	240	720
		2.5 - 25	1.5 - 15	40 - 400									
65A	2.5 - 25	0.8 - 8	1.2 - 12	10 - 100	900	550	8	3	23	6.5	350	240	720
		4 - 40	3 - 30	60 - 600									
80A	4 - 40	1.2 - 12	1.5 - 15	12 - 120	900	550	8	2	30	10	400	260	760
		5 - 50	4 - 40	80 - 800									
100A	6 - 60	2.5 - 25	3 - 30	25 - 250	1000	600	8	2	45	14	500	300	850
		9 - 90	7 - 70	120 - 1200									
125A	10 - 100	4 - 40		40 - 400	1200	750	7		60		550	320	940
		15 - 150		200 - 2000									
150A	14 - 140	6 - 60		60 - 600	1200	750	7		80		600	340	1020
		20 - 200		300 - 3000									
200A	20 - 200	10 - 100		100 - 1000	1500	900	7		130		700	340	1020
		28 - 280		400 - 4000									



**PART LIST**

NO	NAME	MATERIAL			
		NO.1	NO.2	NO.3	NO.4
1	Body	SPP	SUS304	SUS316	PVC
2	Sight	ACRYL, PC, GLASS			
3	Index	SUS304	SUS316	PVC	
4	Float	SUS304	SUS316	PVC	
5	Packing	NBR, VITON, SILICON, TEFLON			
6	Vent Plug	SUS304	SUS316	SUS316	PVC
7	Tube	SUS304	SUS304	SUS316	PVC
8	Flange	SS400	SUS304	SUS316	PVC
9	Stay Bolt	STEEL	SUS304	SUS304	
10	Bolt	STEEL	SUS304	SUS304	
11	Nut	STEEL	SUS304	SUS304	
12	Cooling	SUS304			





# Flowmeter Product Directory

TYPE : ATC-AR



ATC-AR

## GENERAL

- 설정유량에 Sensor를 고정하면 Float의 움직임이 가까워짐에 따라 외부출력(ON·OFF)을 발생 시킨다.

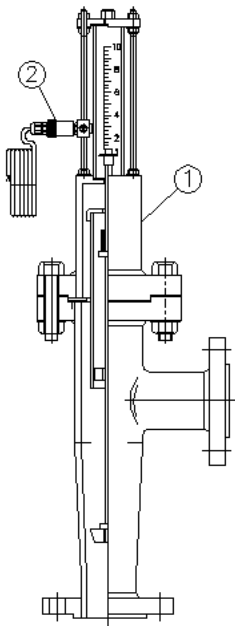
## FEATURES

- 별도의 증폭부가 필요치 않다.
- 구조가 간단하여 수리나 점검이 쉽다.
- Sensor는 자기 유지 기능을(Self Holding) 갖고 있다. (현장 조건에 따라 Control Box를 조합 할 수 도 있다.)
- 접점 능력이 불충분 할 때는 Relay 사용이 가능 하다.

## SPECIFICATION

Capacity	AC 220V 0.5A / DC 24V 0.05A
Contact Output	1 or 2 Point Alarm
Contact Type	Sensor Self Holding Form
Contact Rate	SPST Relay Output
Cable Code	0.4m (10m available)
Ambient Temp.	-20℃ ~ 80℃

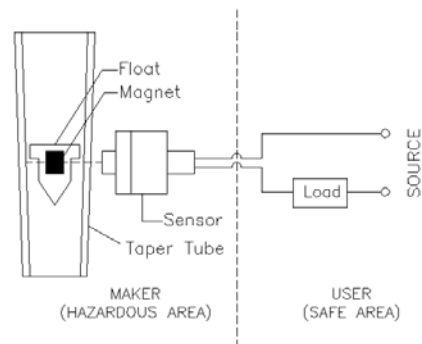
## STRUCTURE



## PART LIST

NO	NAME	MATERIAL
1	Flow Indicator	With Specificate
2	Cable Sensor	Package (AL/ABS)

## SENSOR DIAGRAM





# Flowmeter Product Directory

TYPE : ATH-AO



ATH-AO

## GENERAL

- 설정유량에 Sensor를 고정하면 Float의 움직임이 가까워짐에 따라 외부출력(ON-OFF)을 발생 시킨다.

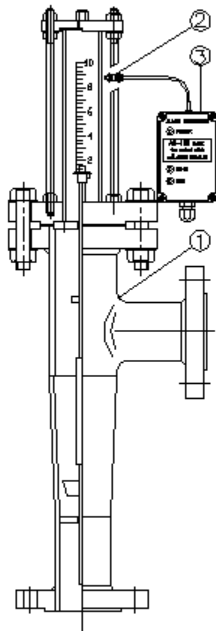
## FEATURES

- Sensor와 Amplification이 조합되어 출력 시 유지(Self-Holding)기능을 갖고 있다.
- 출력 시 Led 표시가 있어 점검 및 관리가 용이 하다.
- 빠른 반응 속도와 응답 거리에 영향을 받지 않는다.
- 접점 능력이 불충분 할 때는 Relay 사용이 가능 하다.

## SPECIFICATION

Power Supply	DC 12-24V
Contact Output	1 or 2 Point Alarm
Contact Type	Sensor Self Holding Form
Contact Rate	SPDT Relay Output
Cable Code	1m (2m available)
Ambient Temp.	-20℃ ~ 80℃

## STRUCTURE



## PART LIST

NO	NAME	MATERIAL
1	Flow meter	With Specificate
2	Cable Sensor	Optical Fiber (IP67)
3	Convertor	ABS / PC

## SENSOR DIAGRAM

